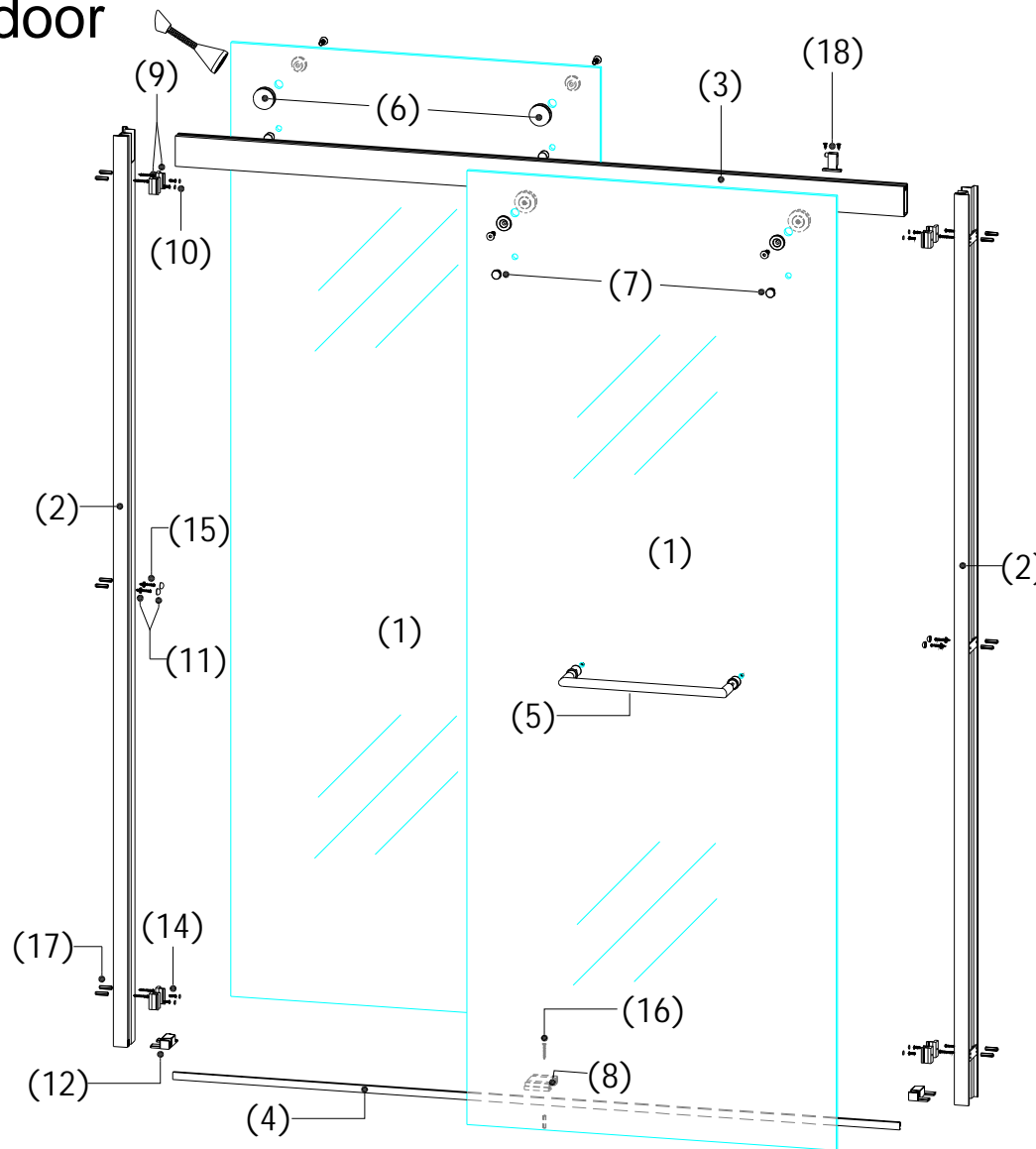
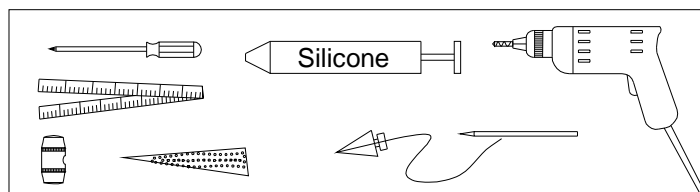


# Urbanite Dual Pass Shower door installation manual

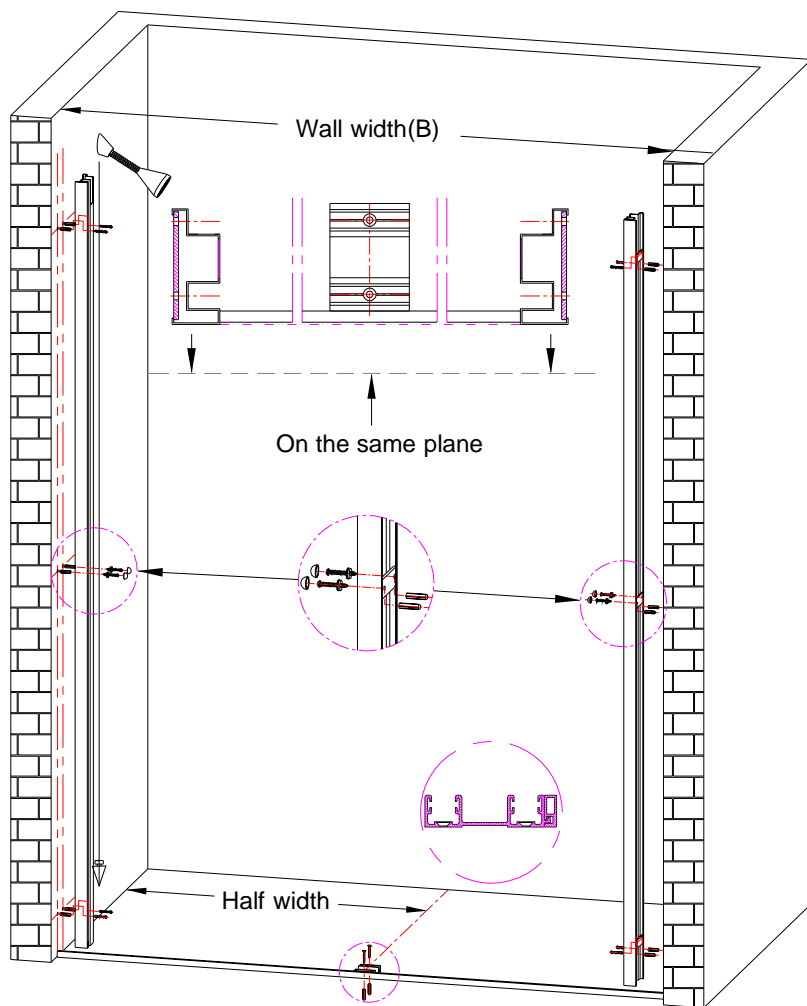
Code	Description	Qty
(1)	Glass	2
(2)	Wall channel	2
(3)	Top track	1
(4)	Threshold	1
(5)	Handle	2
(6)	Roller	4
(7)	Anti lift bumper	4
(8)	Guide	1
(9)	Anti-collision block	8
(10)	Cap for No.9	10
(11)	Cap for screw	4
(12)	Sidewall guide	2
(14)	Round head M4.0×12mm	8
(15)	Round head ST4.0×30mm	12
(16)	Sunk head ST4.0×30mm	2
(17)	Wall plug (Ø6×30mm)	14
(18)	Stopper	1

## Tools



**1**

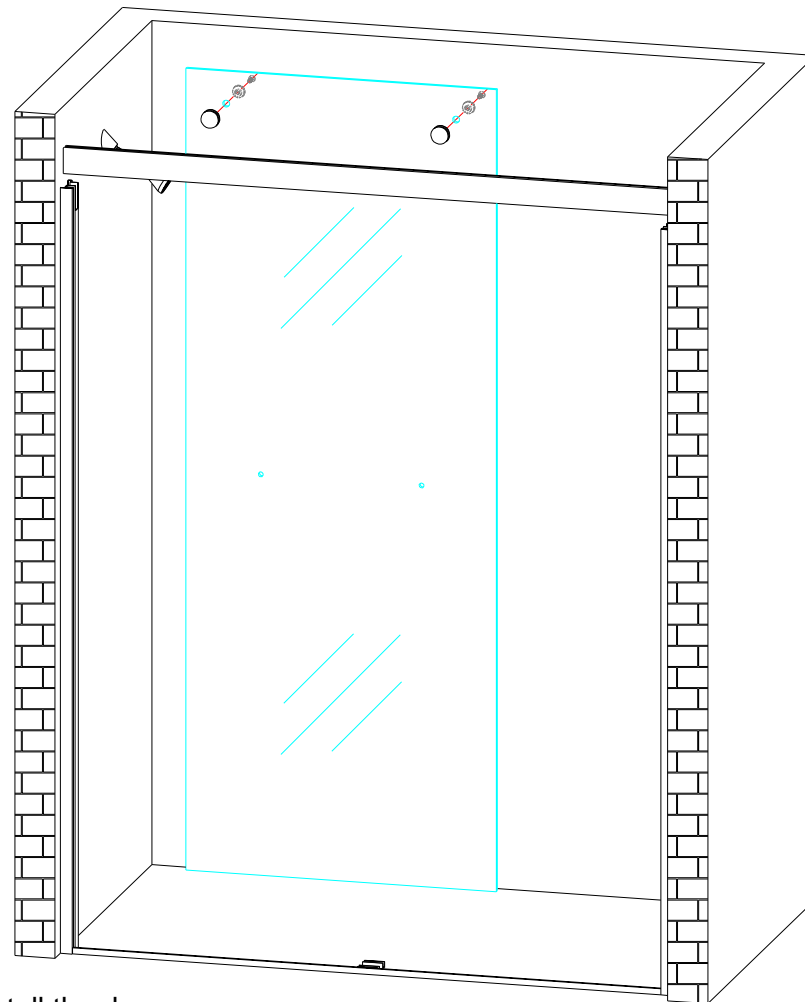
▲ **Notice:** If the door size is 60", it can fit a max wall width (B) is 60 2/5".



Determine the door position.  
 Place the guide onto the threshold.  
 Place the wall channel onto both ends of threshold.  
 Make sure both channels are on the same plane.  
 Drill Ø6mm (1/4") holes, install wall plug, fasten the guide and wall channels.

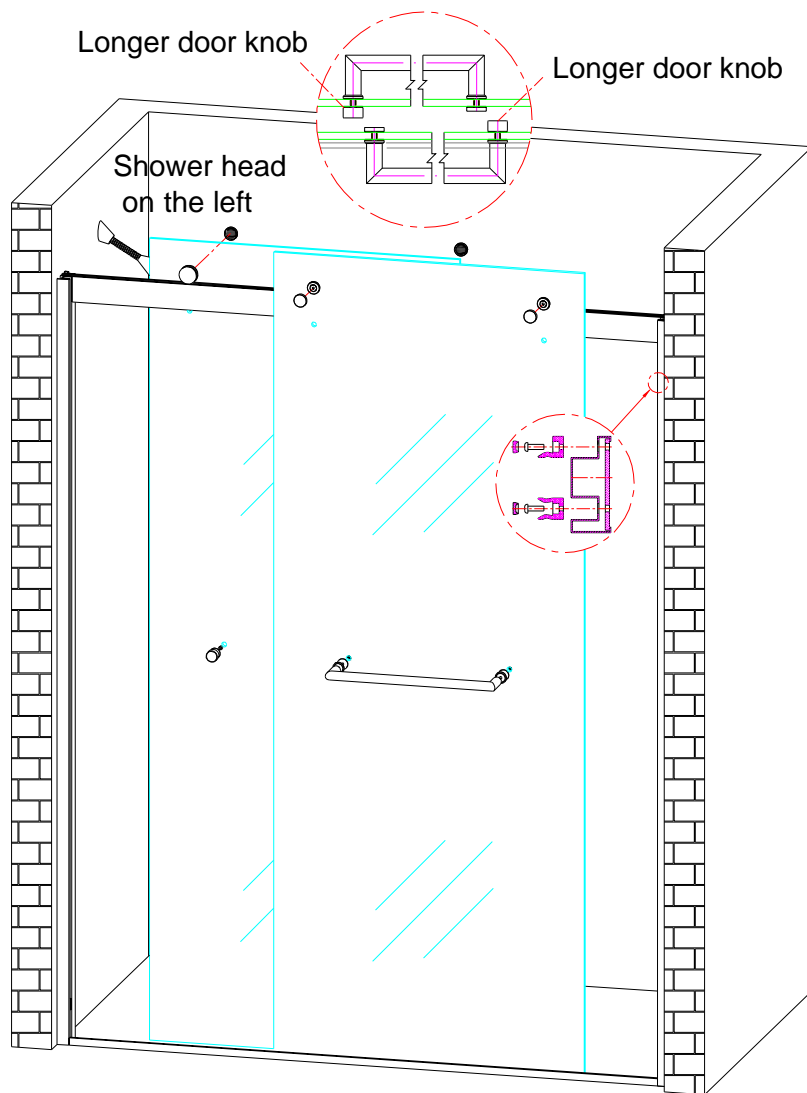
**2**

▲ **Notice:** We recommend using Loctite Blue 242 Threadlocker on all threaded parts.



Install the door:  
 Put the top track onto both wall channels.  
 Affix rollers to glass. Ensure rollers are set at the same height.  
 Place glass into bottom guide, then lift the glass and position the roller onto top track.

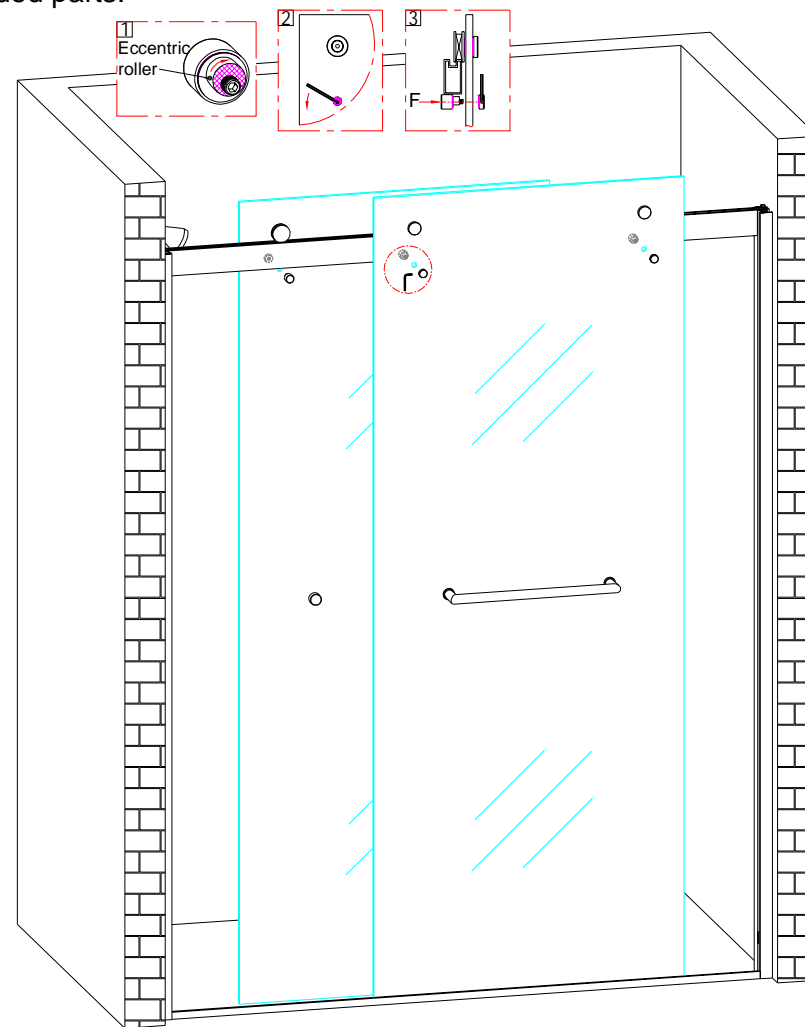
# 3



Install the anti-collision block.  
 Adjust the roller, make sure doors are level. Install the anti lift bumper, and make sure the rollers could not derail from the top track.  
 Install the handles.

▲ Notice: We recommend using Loctite Blue 242 Threadlocker on all threaded parts.

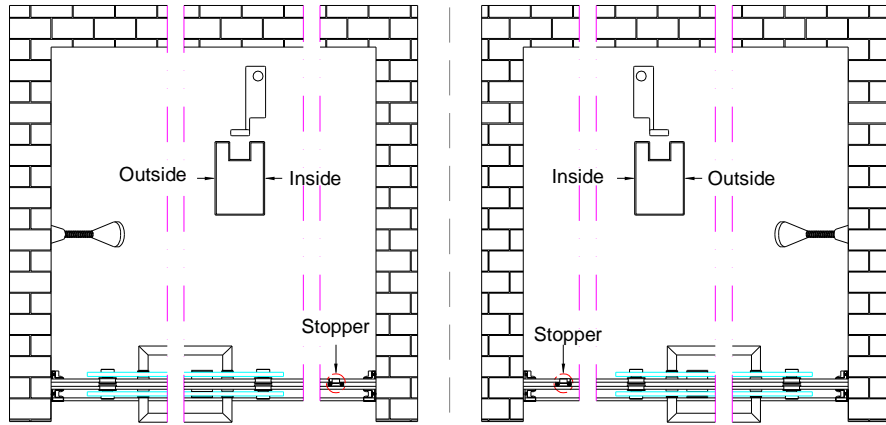
# 4



To Install anti lift bumper:

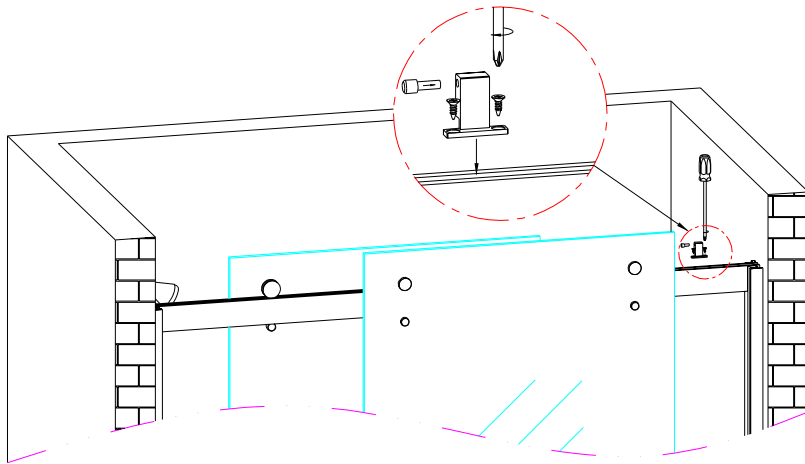
1. Adjust and fasten eccentric roller.
2. Fasten the anti lift bumper as close as possible to the top track, do not let the anti lift bumper contact directly with the top track.
3. Determine the anti lift bumper position, fasten the nut.

5



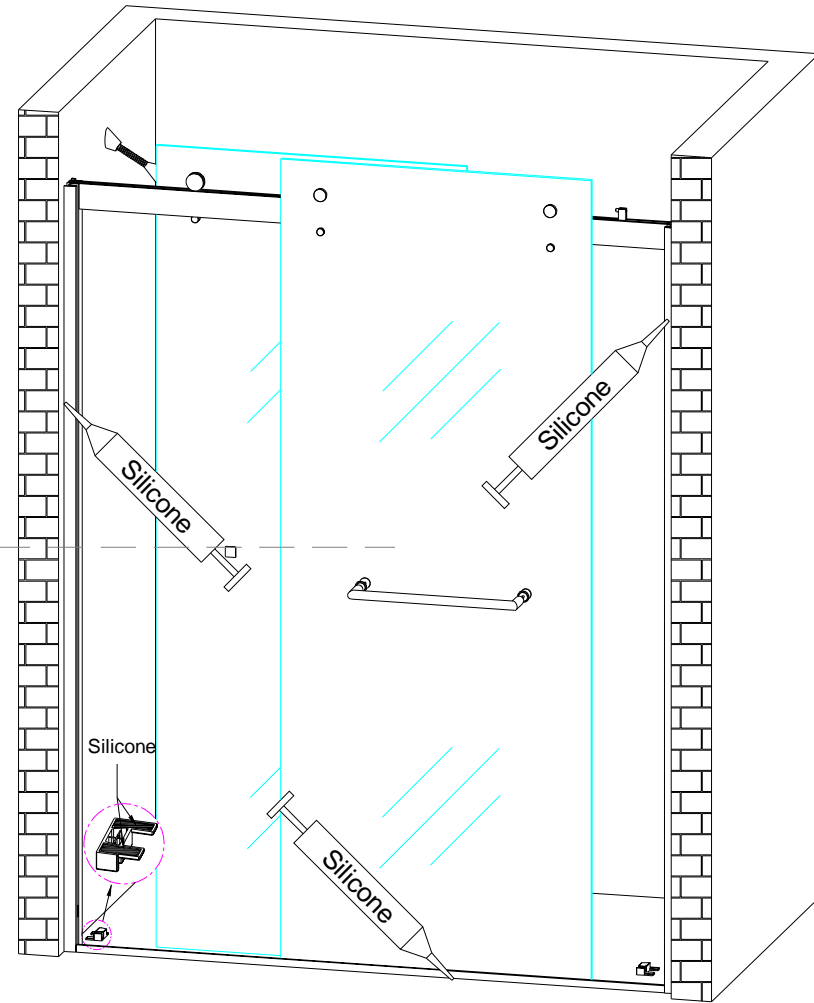
If the shower head is on the left wall,  
the stopper should be affixed to the top right hand side track

If the shower head is on the right wall,  
the stopper should be affixed to the top left hand side track



Install the stopper.

6



To install the sidewall guides, apply silicone on the bottom. Locate side wall guides at base of wall channel.  
Apply silicone around the wall channels and threshold.  
Door can be used after 24 hours.