

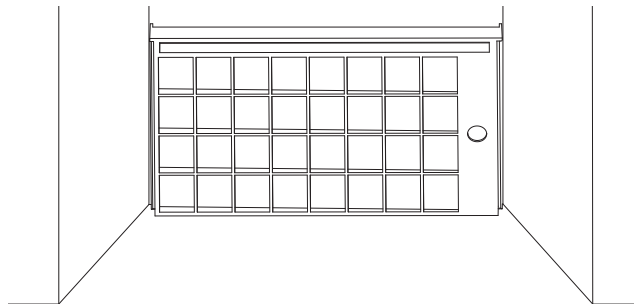
Belstone Shower Pan

Pre-Installation Checklist

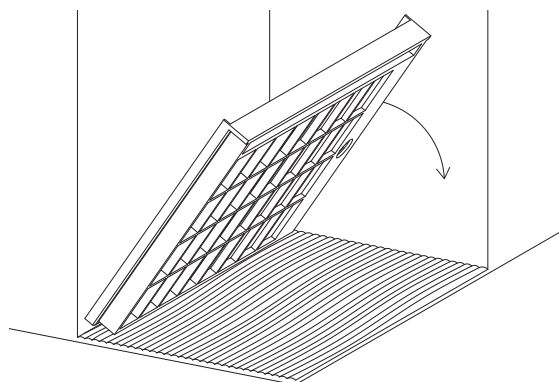
1. Damage from shipping or delivery must be reported to carrier immediately. Do not install damaged shower base. Belstone is not responsible for damage occurring during shipping and/or handling.
2. Factory defects must be reported to Belstone before base is installed. Defects claimed after installation will be excluded from warranty.
3. Keep boxed and palletized shower bases as received in a temperature-controlled Storage. Do not store bases outside in extreme hot or cold environment.
4. Shower pans should remain in the box during handling and staging to help avoid damage. Keep pan horizontal.

Standard Installation

1. Establish a flat and level surface. Make sure the area is clean and free of dust and debris. Make sure the wall framing is square and measurements are to the pan specification.
2. Plumber should connect the drain to the pan.
3. Carefully set the pan into the niche opening and gently stand up on end.

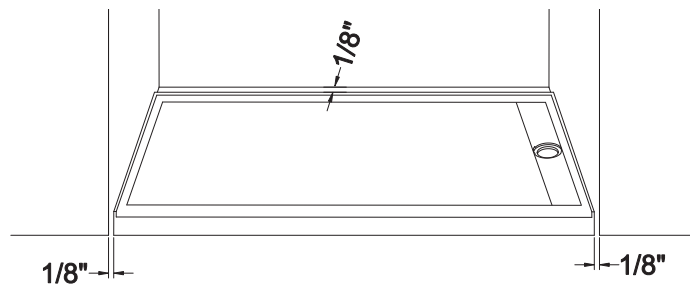


4. Clean the floor making sure to remove all dust and debris leaving a perfectly clean and dry surface. Follow any additional surface prep recommendations that the mortar manufacturer recommends. Notify the GC if the floor finish appears to have any other product finish on it or appears polished or is a gypsum product surface underlay. These conditions may require special attention.

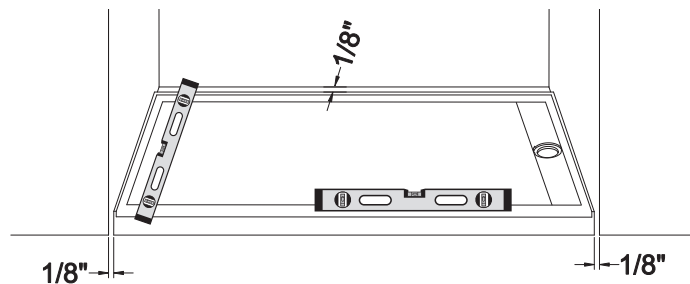


Belstone Shower Pan

5. Mix one 50 lb bag of mortar according to the manufacturer's instructions and use a trowel to apply a thin skim coat of mortar across the entire area that the shower pan will cover.
6. Make a solid 3/4" mortar bed that will cover the entire footprint of the shower pan on top of the skim coat. Make sure that the entire underside of the pan and the pan's edges will be sitting atop the mortar bed. No area of the shower pan should be left unsupported by the mortar bed. The 3/4" mortar bed is a Belstone requirement to set the pan properly.
7. Recommended mortar is VersaBond Professional Thin-Set Mortar or equivalent. This product will perform well with a 3/4" mortar bed thickness.



8. After setting the pan in place, check level, front to back and side to side. Make sure the pan does not rock or move.



9. Substrate material should not be installed until after the plumber has connected the plumbing.
10. Be sure the installer leaves an expansion joint approximately 1/4" above the shower pan flange. The wall tile or panels should sit 1/8"-1/4" off the ledge of the pan.

